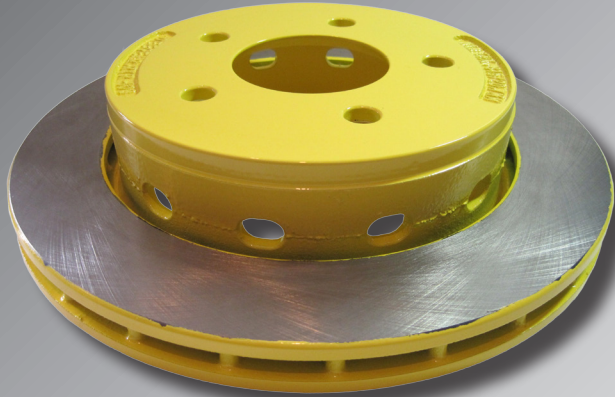


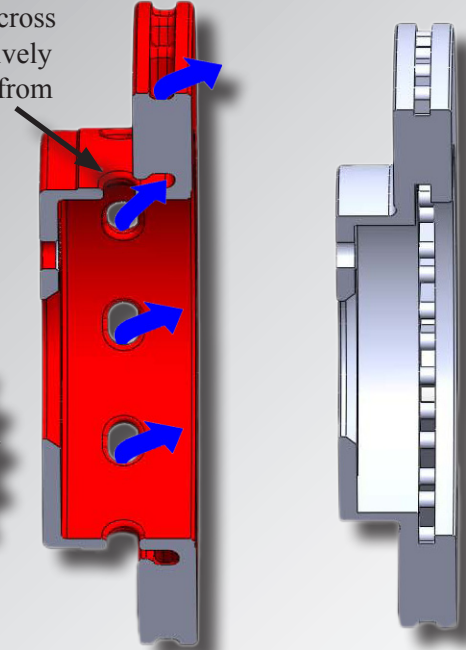


# BRAKING ALL THE STANDARDS

Available in MAXX COATING or STAINLESS STEEL 3,500lb to 8,000lb Slip Over or Integral.



This unique rotor cross section design actively draws cooling air from the rotor interior.

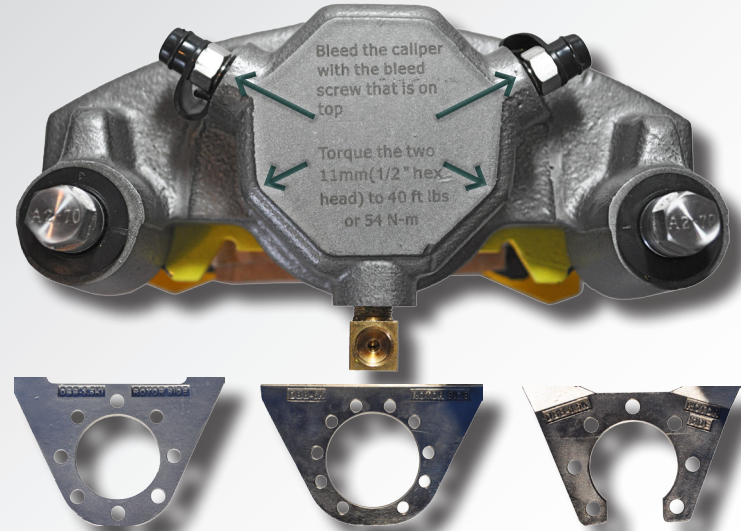
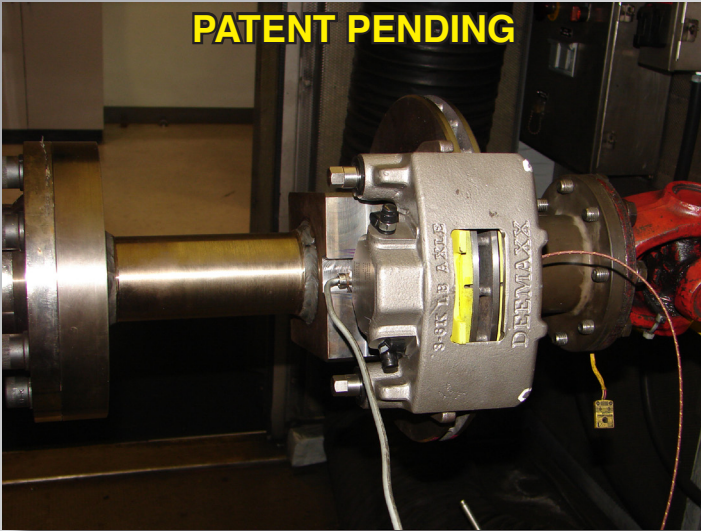


DEEMAXX


Competitor

**Warranty:**  
6yr Stainless Steel  
3yr MAXX COATING  
and  
LIMITED LIFETIME  
BRAKE PADS

DEEMAXX PASSED THE SAE J2681 BRAKE TEST!



## DEEMAXX BENEFITS:

- \* **DEEMAXX Exclusive** MAXX COATING on Caliper passed Salt Spray Test per ASTM-B-117-09 over 1008 hrs with no RUST!
- \* **DEEMAXX Exclusive** 120° Bleeder design means better bleeding, balanced system, and no more damaged bleeders!
- \* **DEEMAXX Exclusive** Laser writing on caliper means instructions are always there!
- \* **DEEMAXX Exclusive** Bolt design means no more mishandling or incorrect shipping of bolts!
- \* **DEEMAXX Exclusive** Reverse Mount Slip Over Rotor means cooler running, better plating, and no more premature corrosion!
- \* **DEEMAXX LIMITED LIFETIME WARRANTY** Ceramic Brake Pads are slotted, chamfered, and have a Stainless Steel Clip.
- \* **DEEMAXX** Equals better stopping, longer life and corrosion protection.
- \* **DEEMAXX** Solid/Rigid Ductile Iron Casting eliminates flexing and gives you more Brake Torque!
- \* **DEEMAXX** Bracket design gives you twice as many mounting options for your caliper position!
- \* **DEEMAXX** Uses only ISO QUALITY Certified Factories! 
- \* **DEEMAXX PASSED THE SAE J2681 BRAKE TEST!** **SAE International**